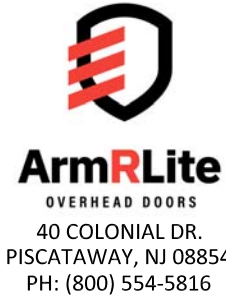


ARMRLITE DOOR MANUFACTURING CO., INC.

WZ3D SECTIONAL GARAGE DOOR (WZ3) (IMPACT)



GENERAL NOTES:

- THE PRODUCT SHOWN HEREIN IS DESIGNED AND MANUFACTURED TO COMPLY WITH THE CURRENT EDITION FLORIDA BUILDING CODE (FBC) **EXCLUDING** HVHZ. ALL PRODUCTS UNDER THE SCOPE OF THIS DOCUMENT HAVE BEEN EVALUATED ACCORDING TO THE FOLLOWING:
 - ASTM E283-04(12)
 - ASTM E330-14
 - ASTM E1886-19
 - ASTM E1996-20
- ADEQUACY OF THE EXISTING STRUCTURAL CONCRETE/MASONRY, 2X AND METAL STUD FRAMING AS A MAIN WIND FORCE RESISTING SYSTEM CAPABLE OF WITHSTANDING AND TRANSFERRING APPLIED PRODUCT LOADS TO THE FOUNDATION IS THE RESPONSIBILITY OF THE ENGINEER OR ARCHITECT OF RECORD FOR THE PROJECT OF INSTALLATION.
- 1X AND 2X BUCKS (WHEN USED) SHALL BE DESIGNED AND ANCHORED TO PROPERLY TRANSFER ALL LOADS TO THE STRUCTURE. BUCK DESIGN AND INSTALLATION IS THE RESPONSIBILITY OF THE ENGINEER OR ARCHITECT OF RECORD FOR THE PROJECT OF INSTALLATION.
- INSTALL INDIVIDUAL INSTALLATION ANCHORS WITHIN A TOLERANCE OF ±1/4 INCH OF THE DEPICTED LOCATION IN THE ANCHOR LAYOUT DETAIL (I.E., WITHOUT CONSIDERATION OF TOLERANCES). TOLERANCES ARE NOT CUMULATIVE FROM ONE INSTALLATION ANCHOR TO THE NEXT.
- THE INSTALLATION DETAILS DESCRIBED HEREIN ARE GENERIC AND MAY NOT REFLECT ACTUAL CONDITIONS FOR A SPECIFIC SITE. IF SITE CONDITIONS CAUSE INSTALLATION TO DEVIATE FROM THE REQUIREMENTS DETAILED HEREIN, A LICENSED ENGINEER OR ARCHITECT SHALL PREPARE SITE SPECIFIC DOCUMENTS FOR USE WITH THIS DOCUMENT.
- APPROVED IMPACT PROTECTIVE SYSTEM **IS NOT REQUIRED** TO PROTECT THIS PRODUCT IN AREAS REQUIRING IMPACT RESISTANCE OF WIND ZONE 3 OR LESS.
- APPROVED IMPACT PROTECTIVE SYSTEM **IS REQUIRED** TO PROTECT THIS PRODUCT IN AREAS REQUIRING IMPACT RESISTANCE OF WIND ZONE 4.
- RAIL & STILE MATERIAL: ALUMINUM 6063-T6.
- PANEL MATERIAL: ALUMINUM 5005-H14.
- DOOR CONSTRUCTIONS: ALL ALUMINUM MEMBERS HELI-ARC WELDED IN CONCEALED LOCATIONS.
- GLASS MEETS THE REQUIREMENTS OF ASTM E 1300 GLASS CHARTS. SEE SHEET 2 FOR GLAZING DETAILS.

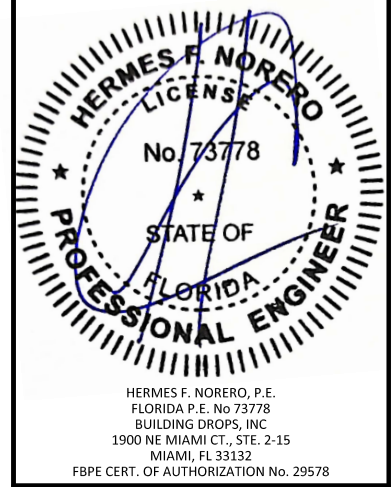
TABLE OF CONTENTS	
SHEET	SHEET DESCRIPTION
1	GENERAL NOTES
2	GLAZING AND INFILL DETAILS
3	ELEVATION AND OPENING DETAILS
4	ANCHOR LAYOUT AND TRACK DETAILS
5	VERTICAL SECTIONS
6	HORIZONTAL SECTIONS
7	INSTALLATION NOTES AND DETAILS

DESIGN PRESSURE RATING		
DOOR DIMENSION	DESIGN PRESSURE	MISSILE RATING
SEE SHEET 3	+/- 55 PSF	LARGE & SMALL MISSILE IMPACT

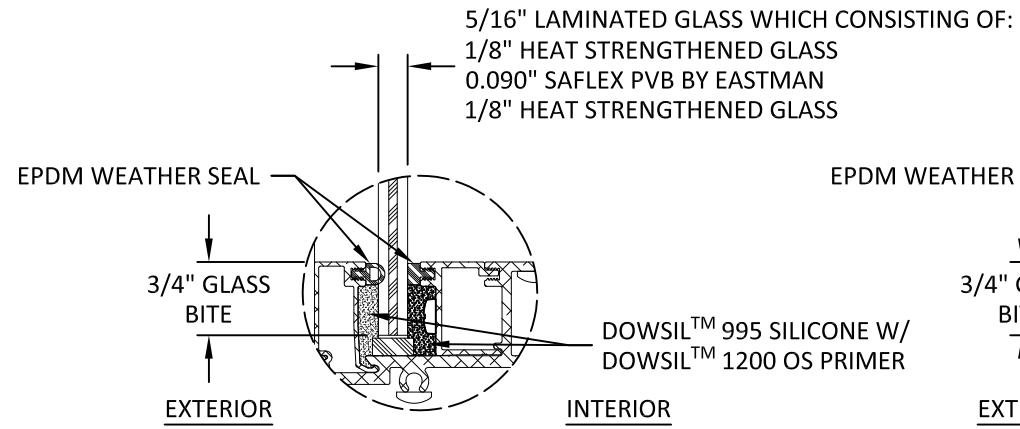
TITLE: WZ3D SECTIONAL GARAGE DOOR (WZ3) (IMPACT)
 GENERAL NOTES
 PREPARED BY: BUILDING DROPS, INC.
 1900 NE MIAMI CT., STE. 2-15
 MIAMI, FL 33132
 PH: (954) 399-8478
 FAX: (954) 744-4738
 WEB: www.buildingdrops.com

REMARKS	BY	DATE

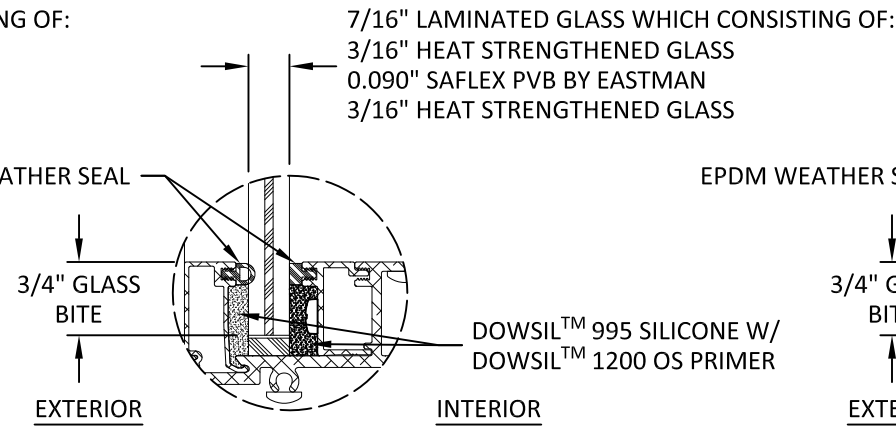
THE INSTALLATION DETAILS DESCRIBED HEREIN ARE GENERIC AND MAY NOT REFLECT ACTUAL CONDITIONS FOR A SPECIFIC SITE. IF SITE CONDITIONS CAUSE INSTALLATION TO DEVIATE FROM THE REQUIREMENTS DETAILED HEREIN, A LICENSED ENGINEER OR ARCHITECT SHALL PREPARE SITE SPECIFIC DOCUMENTS FOR USE WITH THIS DOCUMENT.



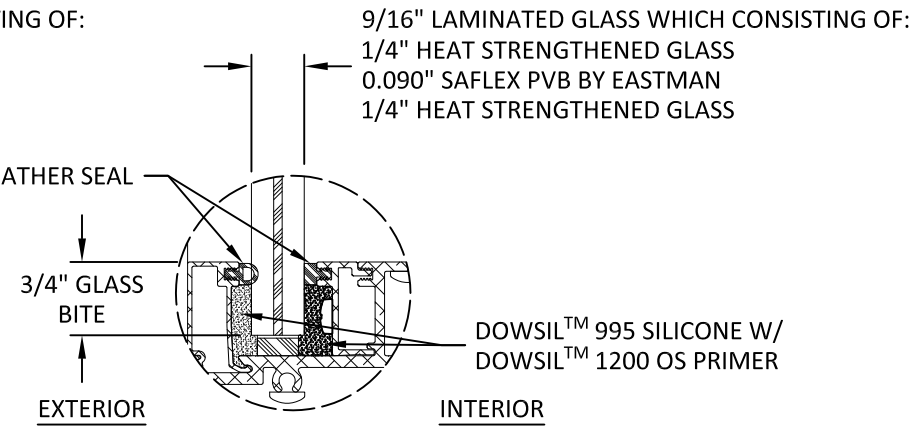
FL #: **FL46038**
 DATE: **11.29.2023**
 DWG. BY: **MS** CHK. BY: **HFN**
 SCALE: **NTS**
 DWG. #: **ARL003**
 SHEET: **1** OF 7



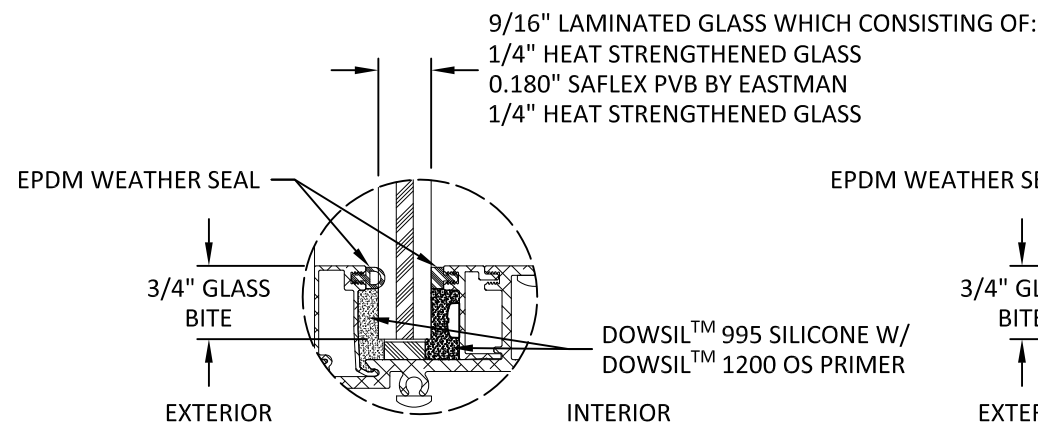
GLAZING DETAIL 1



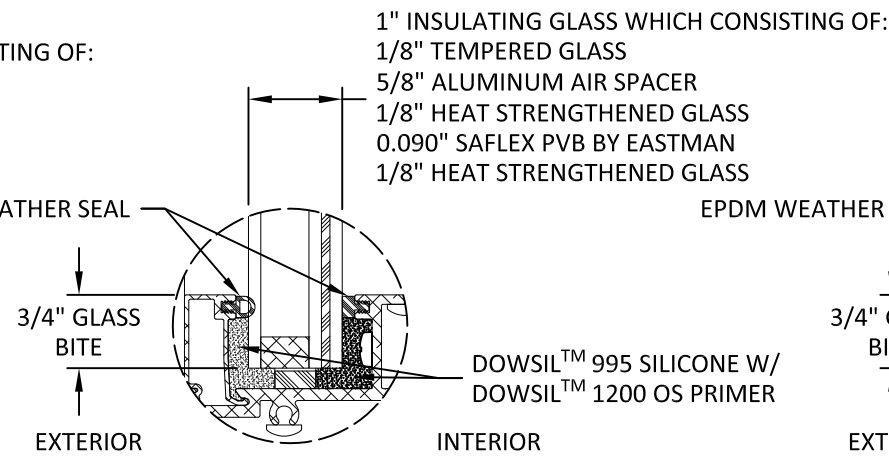
GLAZING DETAIL 2



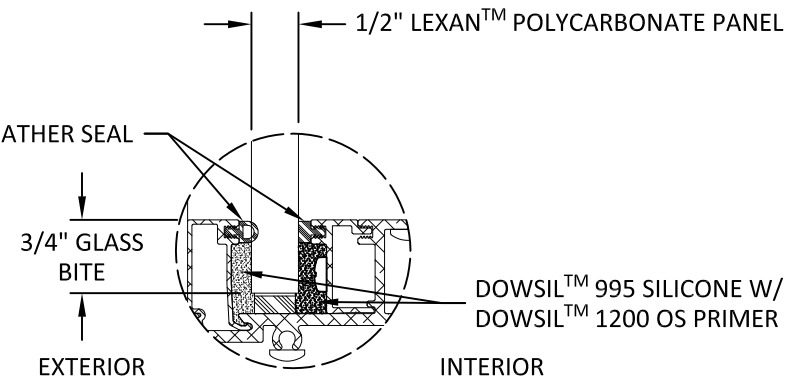
GLAZING DETAIL 3



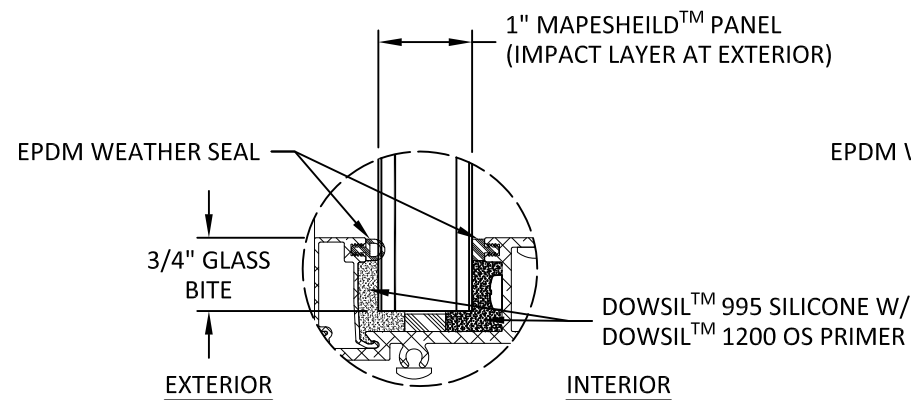
GLAZING DETAIL 4



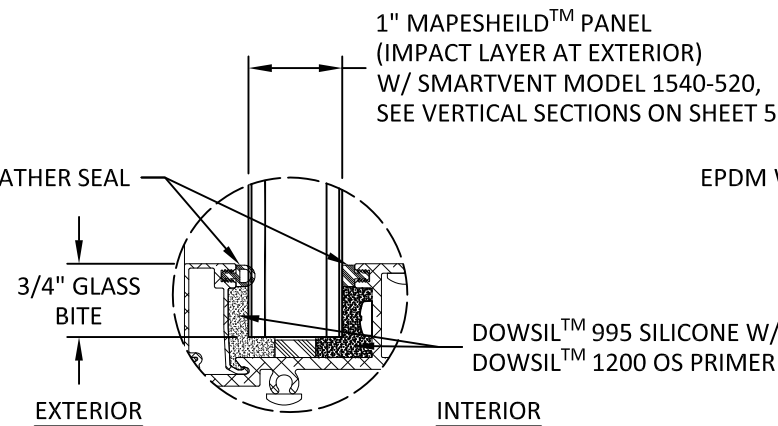
GLAZING DETAIL 5



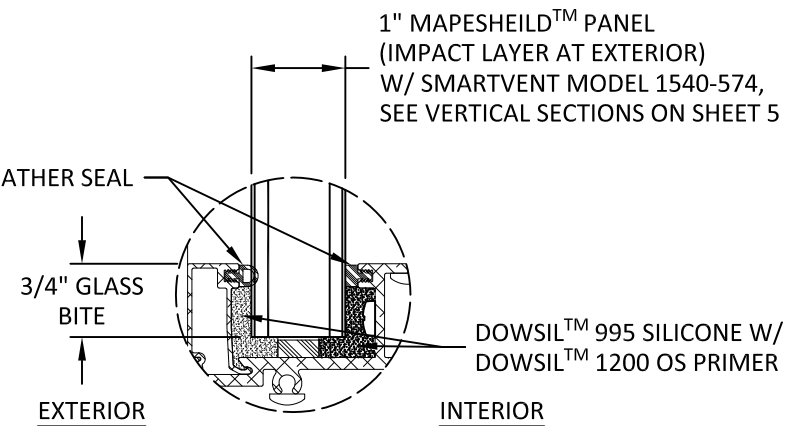
GLAZING DETAIL 6



INFILL DETAIL 1



INFILL DETAIL 2



INFILL DETAIL 3

- GLAZING NOTES:**
- GLASS TYPE & THICKNESS COMPLIES WITH ASTM E1300 REQUIREMENTS AS WELL AS APPLICABLE SAFETY GLAZING REQUIREMENTS PER THE FBC. TEMPER AND SAFETY GLAZING REQUIREMENTS SHALL BE REVIEWED ON A SITE SPECIFIC BASIS.
 - SETTING BLOCK DUROMETER HARDNESS OF 70-90 (SHORE A) AS REFERENCED IN FBC CHAPTER 24.
 - SETTING BLOCKS TO BE LOCATED AT 1/4 SPAN LENGTH FOR GLASS WIDER THAN 36" AS PER FBC CHAPTER 24.
 - D.L.O. AND DESIGN PRESSURES MAY NOT EXCEED MAX VALUES IN SHEETS 1 & 3.

ArmRLite
 OVERHEAD DOORS
 40 COLONIAL DR.
 PISCATAWAY, NJ 08854
 PH: (800) 554-5816

TITLE: WZ3D SECTIONAL GARAGE DOOR (WZ3) (IMPACT)

GLAZING & INFILL DETAILS

PREPARED BY: BUILDING DROPS, INC.
 1900 NE MIAMI CT., STE. 2-15
 MIAMI, FL 33132
 PH: (954) 399-8478
 FAX: (954) 744-4738
 WEB: www.buildingdrops.com

REMARKS	BY	DATE

THE INSTALLATION DETAILS DESCRIBED HEREIN ARE GENERIC AND MAY NOT REFLECT ACTUAL CONDITIONS FOR A SPECIFIC SITE. IF SITE CONDITIONS CAUSE INSTALLATION TO DEVIATE FROM THE REQUIREMENTS DETAILED HEREIN, A LICENSED ENGINEER OR ARCHITECT SHALL PREPARE SITE SPECIFIC DOCUMENTS FOR USE WITH THIS DOCUMENT.

HERMES F. NORERO
 LICENSE
 No. 73778
 STATE OF FLORIDA
 PROFESSIONAL ENGINEER

HERMES F. NORERO, P.E.
 FLORIDA P.E. No. 73778
 BUILDING DROPS, INC.
 1900 NE MIAMI CT., STE. 2-15
 MIAMI, FL 33132
 FBPE CERT. OF AUTHORIZATION No. 29578

FL #: **FL46038**

DATE: **11.29.2023**

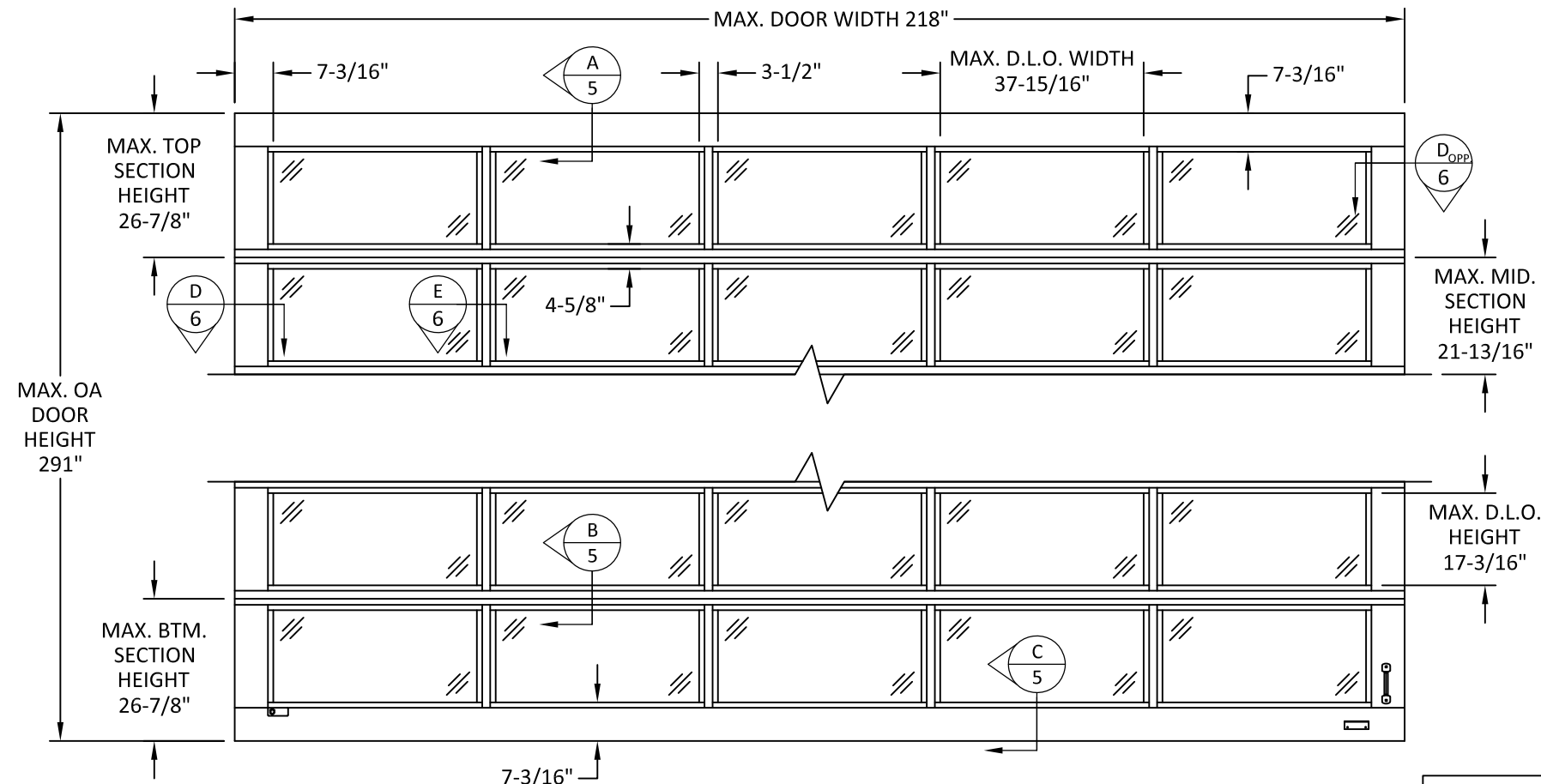
DWG. BY: **MS** CHK. BY: **HFN**

SCALE: **NTS**

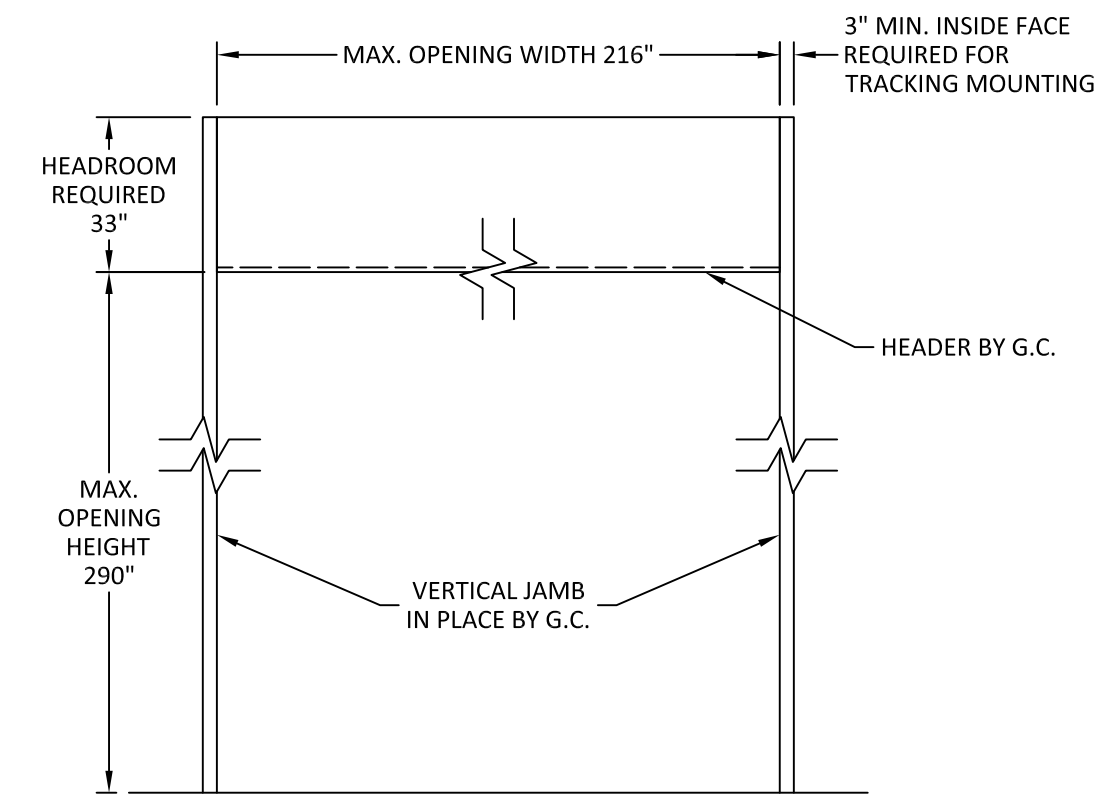
DWG. #: **ARL003**

SHEET: **2** OF 7

s:\projects\arm.r.lite\fbic-21-0540 - fbic submittal - new impact garage door product\dwgs\ar003.dwg 12/20/2023 11:42 AM



DOOR ELEVATION



TYPICAL OPENING DETAILS

NOTE:

1. GLAZING PANELS ARE SHOWN, ALUMINUM & POLYCARBONATE PANELS ARE OPTIONAL. SEE SHEET 2 FOR ALL INFILL OPTIONS.
2. ANY GLAZING DETAILS AND INFILL OPTION 1 MAY BE USED AT ANY SECTIONS. INFILL OPTIONS 2 & 3 WITH FLOOD VENT SHALL BE USED ON THE BOTTOM SECTIONS ONLY.

ArmRLite
OVERHEAD DOORS
40 COLONIAL DR.
PISCATAWAY, NJ 08854
PH: (800) 554-5816

TITLE: WZ3D SECTIONAL GARAGE DOOR (WZ3) (IMPACT)
ELEVATION & OPENING DETAILS

PREPARED BY: BUILDING DROPS, INC.
1900 NE MIAMI CT., STE. 2-15
MIAMI, FL 33132
PH: (954) 399-8478
FAX: (954) 744-4738
WEB: www.buildingdrops.com

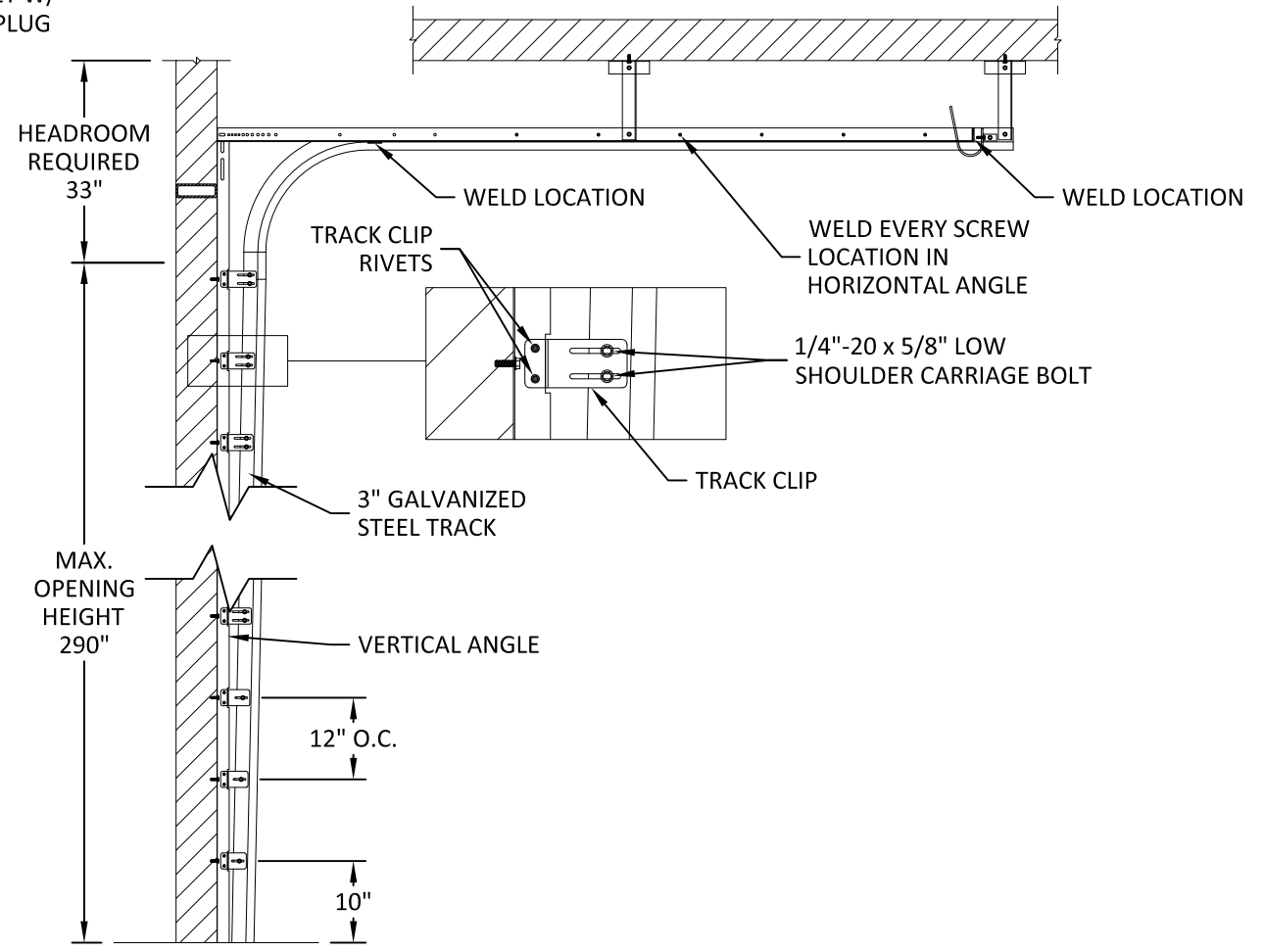
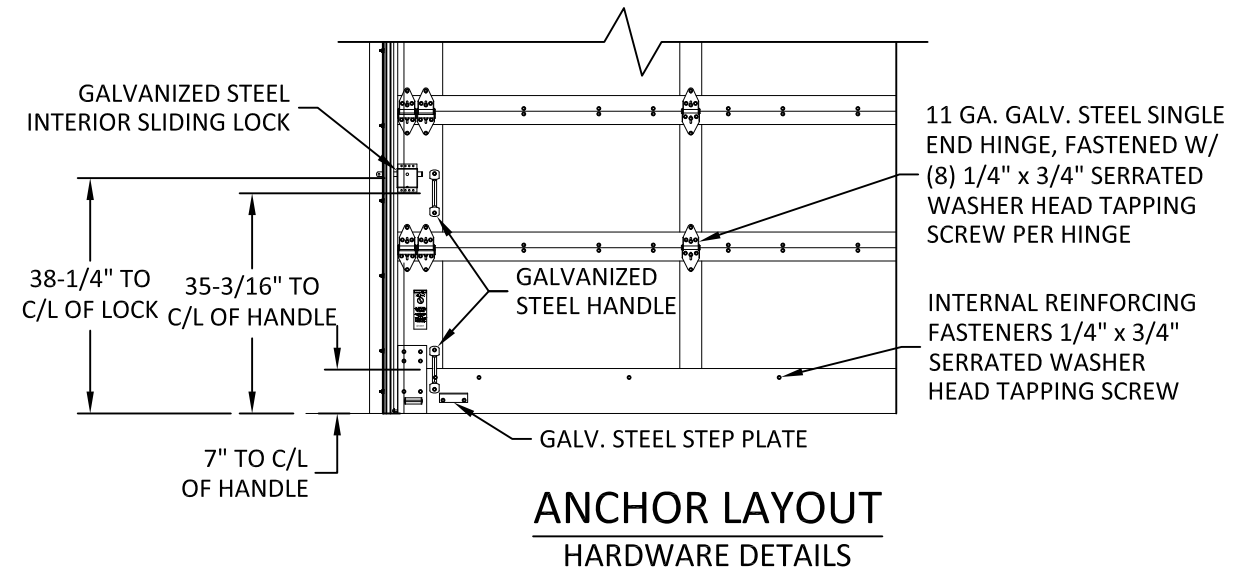
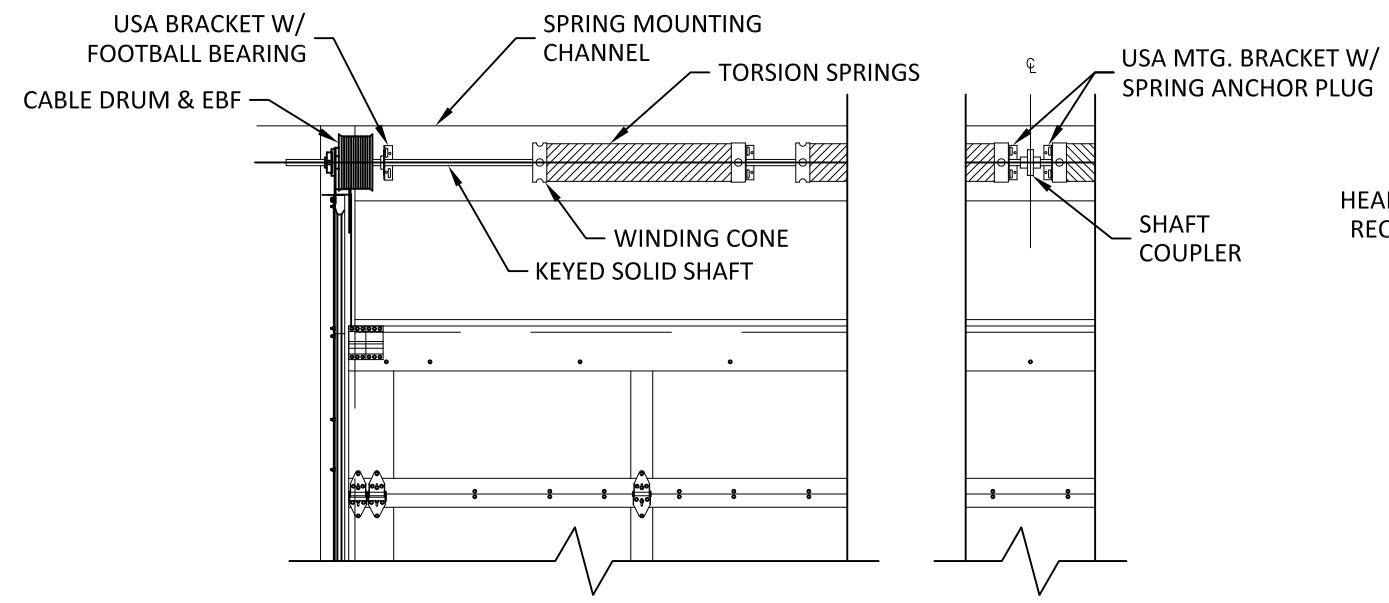
REMARKS	BY	DATE

THE INSTALLATION DETAILS DESCRIBED HEREIN ARE GENERIC AND MAY NOT REFLECT ACTUAL CONDITIONS FOR A SPECIFIC SITE. IF SITE CONDITIONS CAUSE INSTALLATION TO DEVIATE FROM THE REQUIREMENTS DETAILED HEREIN, A LICENSED ENGINEER OR ARCHITECT SHALL PREPARE SITE SPECIFIC DOCUMENTS FOR USE WITH THIS DOCUMENT.

HERMES F. NORERO, P.E.
FLORIDA P.E. No. 73778
BUILDING DROPS, INC.
1900 NE MIAMI CT., STE. 2-15
MIAMI, FL 33132
FBPE CERT. OF AUTHORIZATION No. 29578

FL #:	FL46038
DATE:	11.29.2023
DWG. BY:	MS
CHK. BY:	HFN
SCALE:	NTS
DWG. #:	ARL003
SHEET:	3

s:\projects\arm.r.lite\fbic-21-0540 - fbic submittal - new impact garage door product\dwgs\ar003.dwg 12/20/2023 11:42 AM



NOTE:
DESIGN AND OPERATION OF OPERATOR MECHANISM AND BALANCE SYSTEM IS NOT PART OF THIS APPROVAL, MANUFACTURER SPECIFICATIONS SHOULD BE FOLLOWED. TYPICAL DETAILS SHOWN ABOVE. CARE SHOULD BE TAKEN WHEN DOOR IS IN MOTION ENSURING THAT PERSONAL INJURY OR DAMAGE TO THIS PRODUCT DOES NOT OCCUR.

ArmRLite
OVERHEAD DOORS
40 COLONIAL DR.
PISCATAWAY, NJ 08854
PH: (800) 554-5816

TITLE: WZ3D SECTIONAL GARAGE DOOR (WZ3) (IMPACT)
ANCHOR LAYOUT & TRACK DETAILS
PREPARED BY: BUILDING DROPS, INC.
1900 NE MIAMI CT., STE. 2-15
MIAMI, FL 33132
PH: (954) 399-8478
FAX: (954) 744-4738
WEB: www.buildingdrops.com

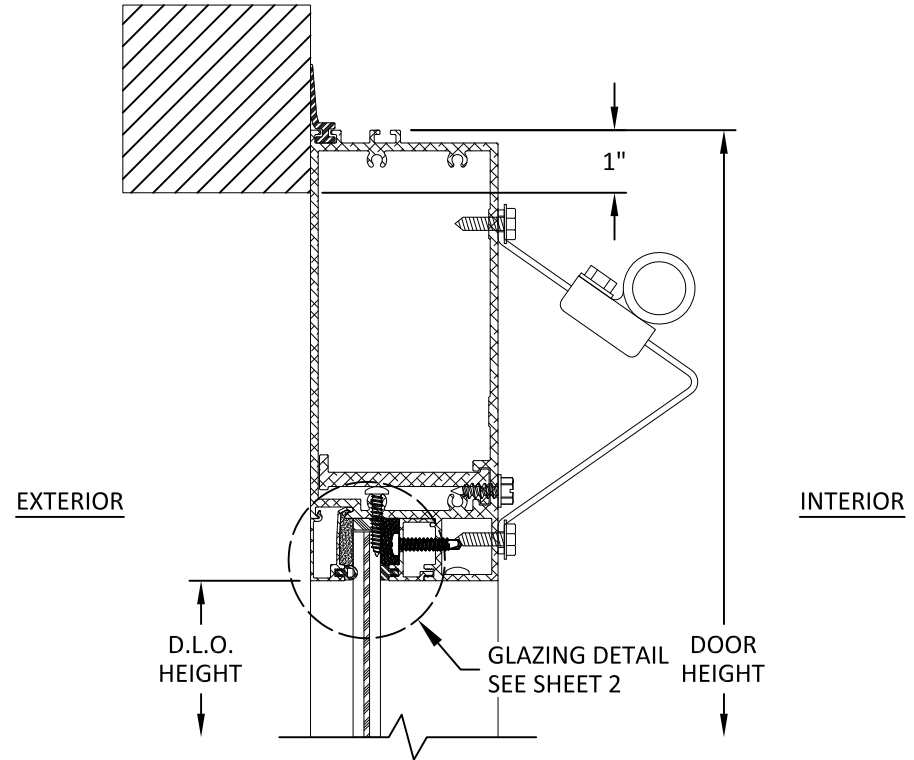
REMARKS	BY	DATE

THE INSTALLATION DETAILS DESCRIBED HEREIN ARE GENERIC AND MAY NOT REFLECT ACTUAL CONDITIONS FOR A SPECIFIC SITE. IF SITE CONDITIONS CAUSE INSTALLATION TO DEVIATE FROM THE REQUIREMENTS DETAILED HEREIN, A LICENSED ENGINEER OR ARCHITECT SHALL PREPARE SITE SPECIFIC DOCUMENTS FOR USE WITH THIS DOCUMENT.

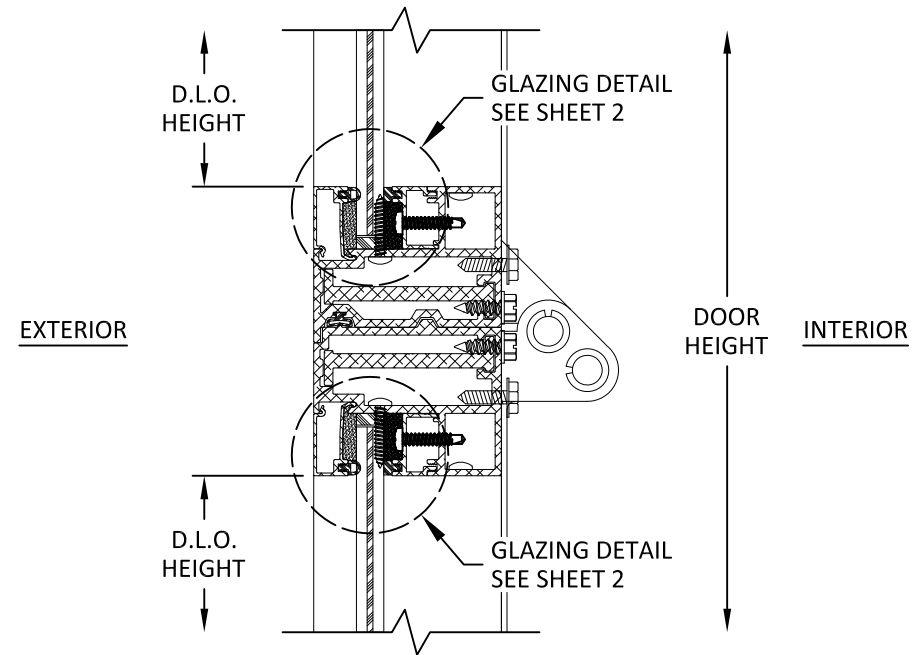
HERMES F. NORERO, P.E.
FLORIDA P.E. No. 73778
BUILDING DROPS, INC
1900 NE MIAMI CT., STE. 2-15
MIAMI, FL 33132
FBPE CERT. OF AUTHORIZATION No. 29578

FL #: **FL46038**
DATE: **11.29.2023**
DWG. BY: **MS** CHK. BY: **HFN**
SCALE: **NTS**
DWG. #: **ARL003**
SHEET: **4** OF 7

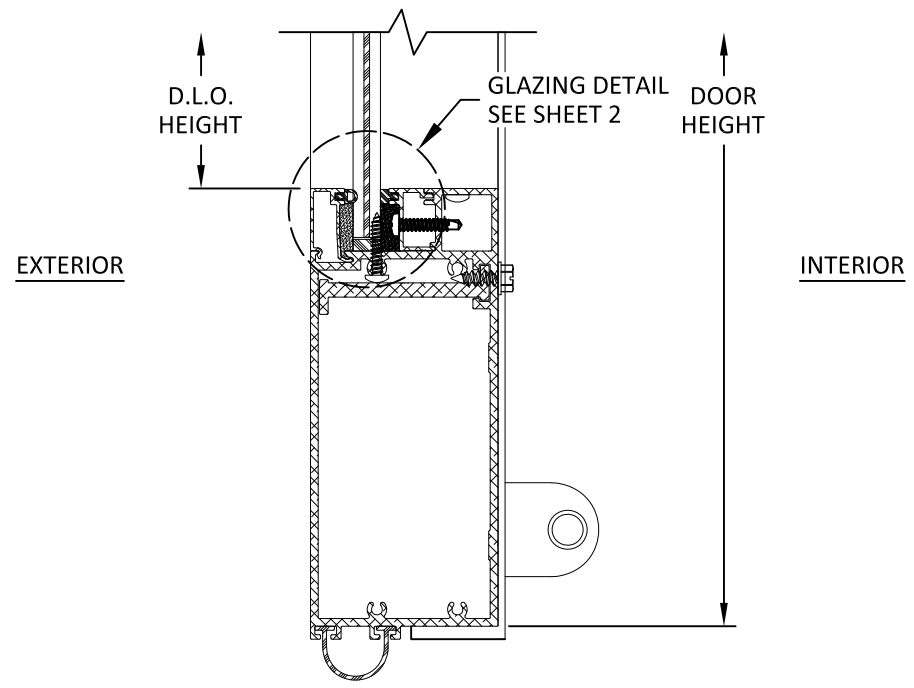
s:\projects\arm.r.lite\fbic-21-0540 - fbc submittal - new impact garage door product\dwgs\ar003.dwg 12/20/2023 11:42 AM



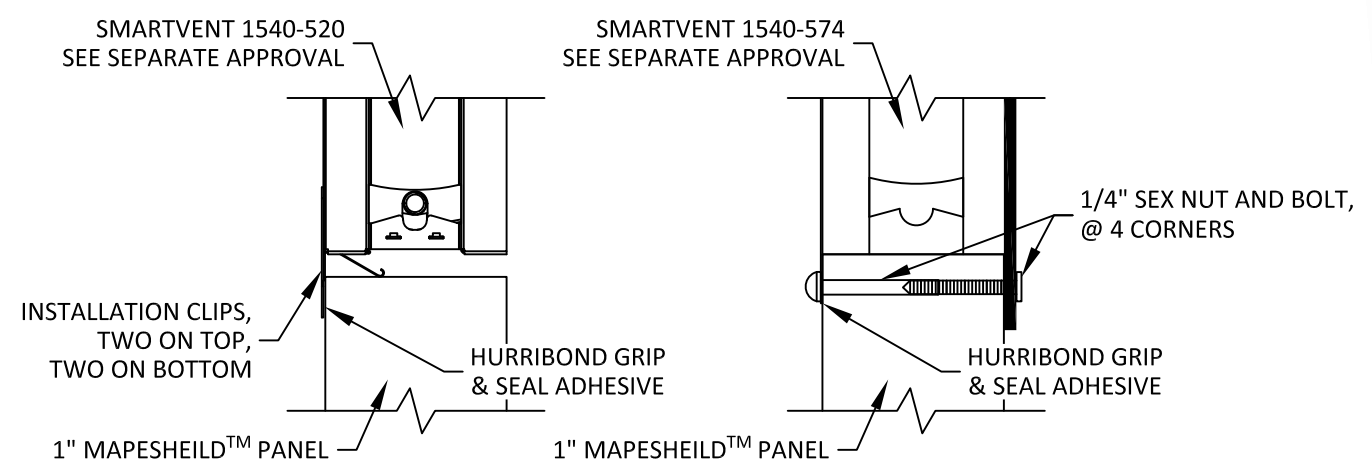
A
5 VERTICAL SECTION
TOP SECTION



B
5 VERTICAL SECTION
MIDDLE SECTION



C
5 VERTICAL SECTION
BOTTOM SECTION



INFILL OPTION 2 TO
SMARTVENT 1540-520

INFILL OPTION 3 TO
SMARTVENT 1540-574

ArmRLite
OVERHEAD DOORS
40 COLONIAL DR.
PISCATAWAY, NJ 08854
PH: (800) 554-5816

TITLE: WZ3D SECTIONAL GARAGE DOOR (WZ3) (IMPACT)
VERTICAL SECTIONS

PREPARED BY: BUILDING DROPS, INC.
1900 NE MIAMI CT., STE. 2-15
MIAMI, FL 33132
PH: (954) 399-8478
FAX: (954) 744-4738
WEB: www.buildingdrops.com

REMARKS	BY	DATE

THE INSTALLATION DETAILS DESCRIBED HEREIN ARE GENERIC AND MAY NOT REFLECT ACTUAL CONDITIONS FOR A SPECIFIC SITE. IF SITE CONDITIONS CAUSE INSTALLATION TO DEVIATE FROM THE REQUIREMENTS DETAILED HEREIN, A LICENSED ENGINEER OR ARCHITECT SHALL PREPARE SITE SPECIFIC DOCUMENTS FOR USE WITH THIS DOCUMENT.

HERMES F. NORERO, P.E.
FLORIDA P.E. No. 73778
BUILDING DROPS, INC.
1900 NE MIAMI CT., STE. 2-15
MIAMI, FL 33132
FBPE CERT. OF AUTHORIZATION No. 29578

FL #: **FL46038**

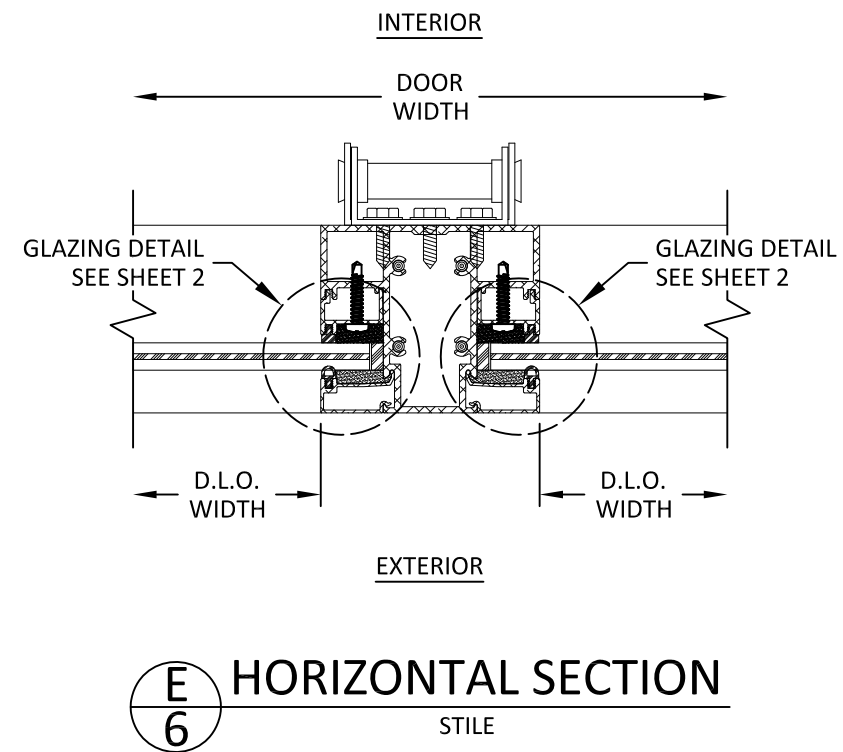
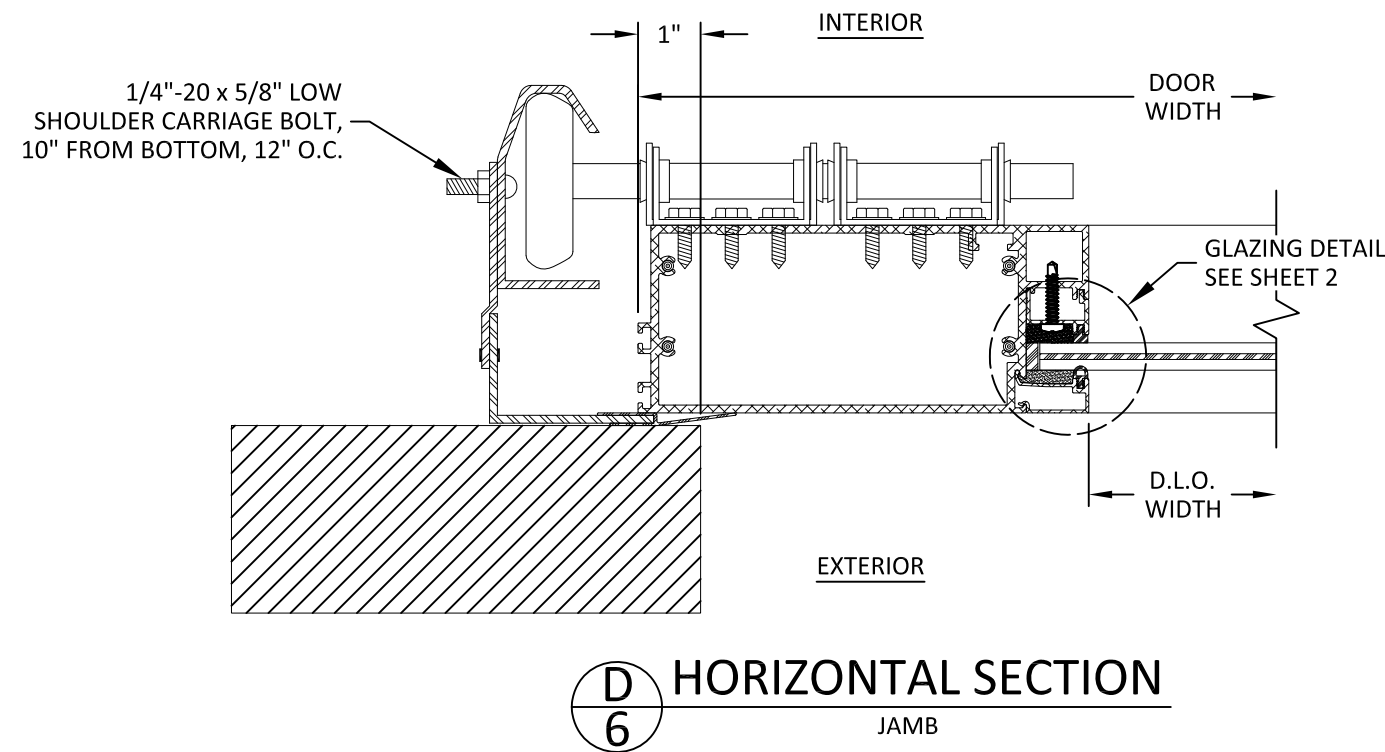
DATE: **11.29.2023**

DWG. BY: **MS** CHK. BY: **HFN**

SCALE: **NTS**

DWG. #: **ARL003**

SHEET: **5** OF 7



ArmRLite
OVERHEAD DOORS
40 COLONIAL DR.
PISCATAWAY, NJ 08854
PH: (800) 554-5816

TITLE: WZ3D SECTIONAL GARAGE DOOR (WZ3) (IMPACT)

HORIZONTAL SECTIONS

PREPARED BY: **BD** BUILDING DROPS

BUILDING DROPS, INC.
1900 NE MIAMI CT., STE. 2-15
MIAMI, FL 33132
PH: (954) 399-8478
FAX: (954) 744-4738
WEB: www.buildingdrops.com

REMARKS	BY	DATE

THE INSTALLATION DETAILS DESCRIBED HEREIN ARE GENERIC AND MAY NOT REFLECT ACTUAL CONDITIONS FOR A SPECIFIC SITE. IF SITE CONDITIONS CAUSE INSTALLATION TO DEVIATE FROM THE REQUIREMENTS DETAILED HEREIN, A LICENSED ENGINEER OR ARCHITECT SHALL PREPARE SITE SPECIFIC DOCUMENTS FOR USE WITH THIS DOCUMENT.

HERMES F. NORERO, P.E.
FLORIDA P.E. No. 73778
BUILDING DROPS, INC.
1900 NE MIAMI CT., STE. 2-15
MIAMI, FL 33132
FBPE CERT. OF AUTHORIZATION No. 29578

FL #: **FL46038**

DATE: **11.29.2023**

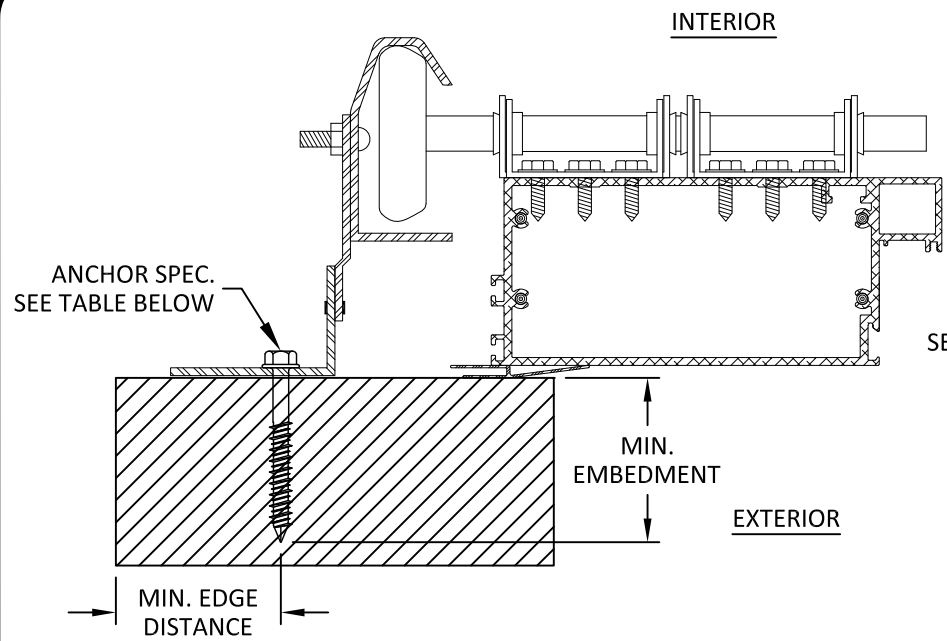
DWG. BY: **MS** CHK. BY: **HFN**

SCALE: **NTS**

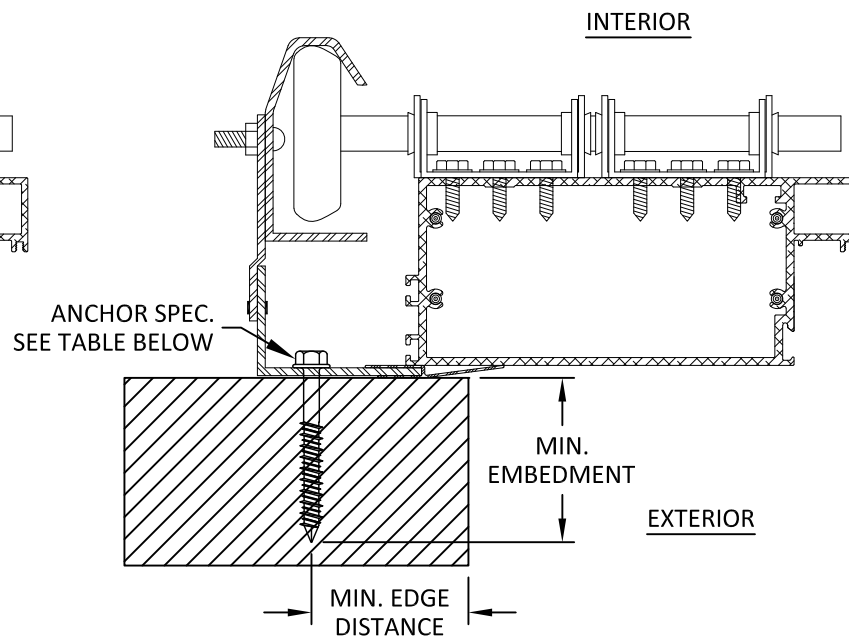
DWG. #: **ARL003**

SHEET: **6** OF 7

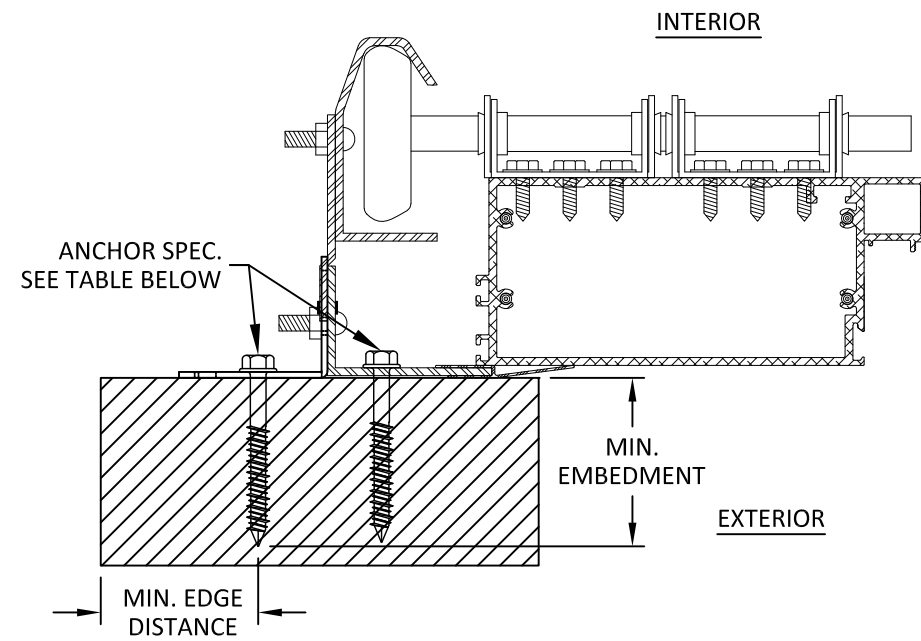
12/20/2023 11:42 AM



F
7 **INSTALLATION DETAILS**
ANGLE OUT INSTALLATION



G
7 **INSTALLATION DETAILS**
ANGLE IN INSTALLATION
NOT APPLICABLE TO MASONRY

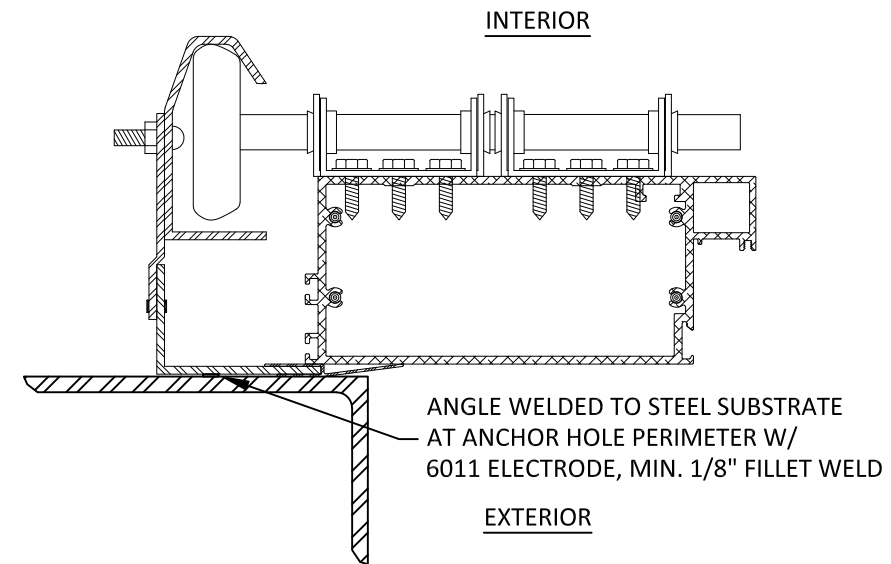


H
7 **INSTALLATION DETAILS**
ANGLE IN INSTALLATION W/ CLIP OUT

INSTALLATION NOTES:

- ONE (1) INSTALLATION ANCHOR IS REQUIRED AT EACH ANCHOR LOCATION.
- THE NUMBER OF INSTALLATION ANCHORS DEPICTED IS THE MINIMUM NUMBER OF ANCHORS TO BE USED FOR PRODUCT INSTALLATION OF THE MAXIMUM SIZE LISTED.
- INSTALL INDIVIDUAL INSTALLATION ANCHORS WITHIN A TOLERANCE OF $\pm 1/4$ INCH THE DEPICTED LOCATION & SPACING IN THE ANCHOR LAYOUT DETAILS (I.E., WITHOUT CONSIDERATION OF TOLERANCES). TOLERANCES ARE NOT CUMULATIVE FROM ONE INSTALLATION ANCHOR TO THE NEXT.
- MINIMUM EMBEDMENT AND EDGE DISTANCE EXCLUDE WALL FINISHES, INCLUDING BUT NOT LIMITED TO STUCCO, FOAM, BRICK VENEER, AND SIDING.
- INSTALLATION ANCHORS AND ASSOCIATED HARDWARE MUST BE MADE OF CORROSION RESISTANT MATERIAL OR HAVE A CORROSION RESISTANT COATING.
- INSTALLATION ANCHORS SHALL BE INSTALLED IN ACCORDANCE WITH ANCHOR MANUFACTURER'S INSTALLATION INSTRUCTIONS, AND ANCHORS SHALL NOT BE USED IN SUBSTRATES WITH STRENGTHS LESS THAN THE MINIMUM STRENGTH SPECIFIED BY THE ANCHOR MANUFACTURER.

ANCHOR SCHEDULE			
SUBSTRATE	ANCHOR TYPE	MIN. EMBEDMENT	MIN. EDGE DISTANCE
WOOD: MIN. S.G. = 0.55	5/16" LAG SCREW	1-1/2"	1/2"
ALUMINUM: MIN. 3/8" 6063-T5	5/16" GRADE 5 SELF-DRILLING/ SELF-TAPPING SCREW	3 THREADS MIN PENETRATION BEYOND METAL	1/2"
STEEL: MIN. 1/4" THICK, MIN. Fy = 33 ksi			
STEEL: MIN. 1/4" THICK, MIN. Fy = 33 ksi	1/8" FILLET WELD W/ 6011 ELECTRODE	-	1/2"
CONCRETE: MIN. f'c = 3000 psi	3/8" ITW DYNABOLT SLEEVE ANCHOR	1-1/2"	2-1/4"
MASONRY: GROUT-FILLED BLOCK PER ASTM C90, MIN. 2000 psi	3/8" DEWALT POWER- STUD+ SD1 WEDGE BOLT	2-3/8"	4"



I
7 **INSTALLATION DETAILS**
WELD INSTALLATION
STEEL SUBSTRATE ONLY

ArmRLite
OVERHEAD DOORS
40 COLONIAL DR.
PISCATAWAY, NJ 08854
PH: (800) 554-5816

TITLE: WZ3D SECTIONAL GARAGE DOOR (WZ3) (IMPACT)

INSTALLATION DETAILS AND NOTES

PREPARED BY: **BD** BUILDING DROPS

BUILDING DROPS, INC.
1900 NE MIAMI CT., STE. 2-15
MIAMI, FL 33132
PH: (954) 399-8478
FAX: (954) 744-4738
WEB: www.buildingdrops.com

REMARKS	BY	DATE

THE INSTALLATION DETAILS DESCRIBED HEREIN ARE GENERIC AND MAY NOT REFLECT ACTUAL CONDITIONS FOR A SPECIFIC SITE. IF SITE CONDITIONS CAUSE INSTALLATION TO DEVIATE FROM THE REQUIREMENTS DETAILED HEREIN, A LICENSED ENGINEER OR ARCHITECT SHALL PREPARE SITE SPECIFIC DOCUMENTS FOR USE WITH THIS DOCUMENT.

HERMES F. NORERO, P.E.
FLORIDA P.E. No. 73778
BUILDING DROPS, INC.
1900 NE MIAMI CT., STE. 2-15
MIAMI, FL 33132
FBPE CERT. OF AUTHORIZATION No. 29578

FL #: **FL46038**

DATE: **11.29.2023**

DWG. BY: **MS** CHK. BY: **HFN**

SCALE: **NTS**

DWG. #: **ARL003**

SHEET: **7** OF 7

s:\projects\arm_r_lite\fbc-21-0540 - fbc submittal - new impact garage door product\dwgs\ar003.dwg